

External antenna kit

IRIS - ACCESSORY

Accessory kit for the IRIS gateway, including an external LoRa antenna, a 1.55 m LL195 coaxial cable and a cable gland for a ready-to-install solution (waterproof cable routing through the IRIS housing). Allows the LoRa antenna to be mounted outside the housing to optimise reception in constrained locations (metal cabinets, plant rooms, basements, indoor/ outdoor installations).



AC0210-01

ELECTRICAL PROPERTIES

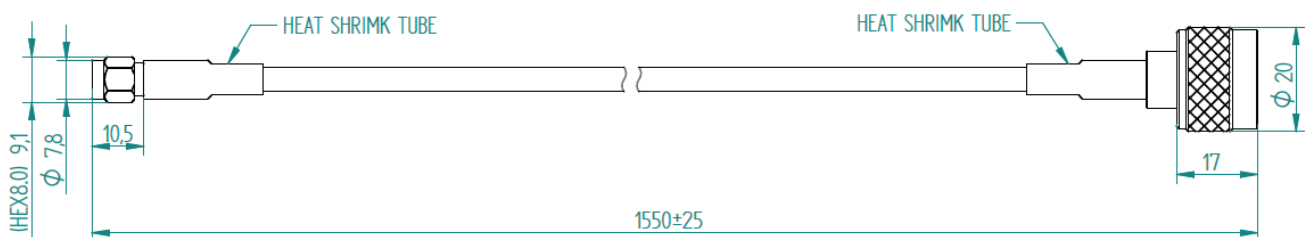
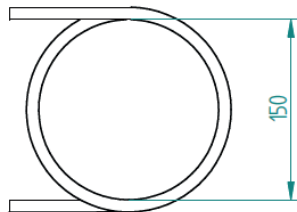
Type	1/2 λ Dipole
Frequency	868 Mhz
Nominal Impedance	50 ohm
Radiation	Omnidirectional
Antenna Average Gain	2.2 dBi
Polarization	Linear Vertical
Connector	N Female

MECHANICAL PROPERTIES

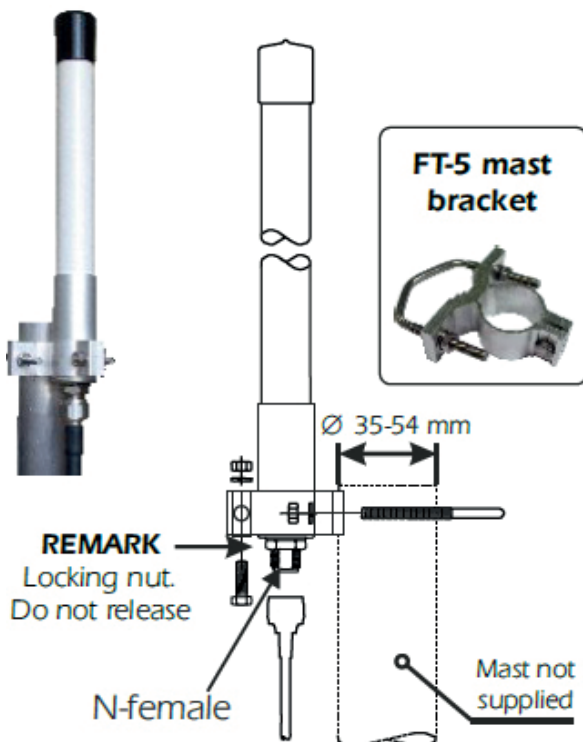
Additional accessories included	20 m cable + cable gland + nut
Housing & Radome Material	Fiberglass, PCB, Anodized aluminium, Nickel plated brass
Bracket & Hardware Material	Aluminium, Stainless steel
Wind Load @ 150 Km/h,93 mi/h	14 N
Wind Resistance	200 km/h, 124 mi/h
Wind Surface	0.011 m ² ; 0.12 ft ²
Height (approx.)	290 mm, 0.951 ft
Weight (without bracket, approx.)	235 g, 0.52 lb
Operating Temperature	-40 °C to +80 °C
Ingress Protection	IP 64
Installation type	Mast: \varnothing 3554 mm, \varnothing 1.4-2.1 in with Vbolt

Outline & Dimensions

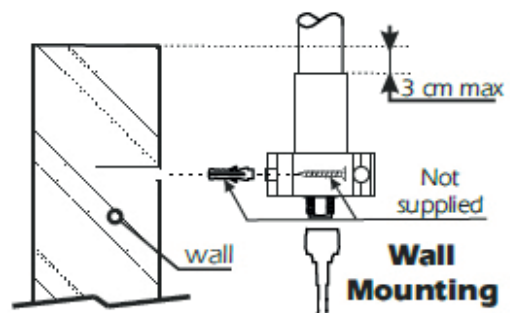
Cable	MR195
OD	Ø4.95±0.1mm
Cover	Black
SMA M	Gold
NM	Ni



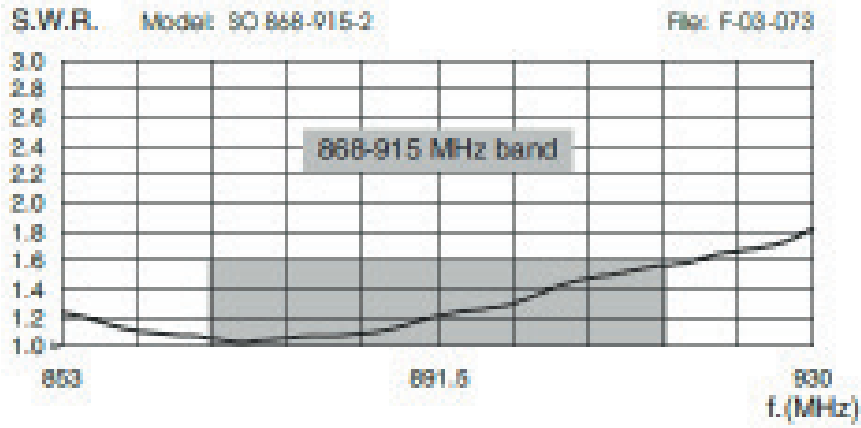
Mounting instructions



FT-5 bracket part list	
Q.ty	Description
1	Extruded aluminium bracket
1	M6x188 V-bolt
1	M6x20 Exagonal head screw
3	M6 Spring lock washer
3	M6 Hexagonal nut
Materials:	extruded aluminum
Hardware:	stainless steel
Dimensions:	80 x 76 x 25 mm
Weight:	110 g



TYPICAL S.W.R. RESPONSE



TYPICAL RADIATION PATTERN of 868 MHz

