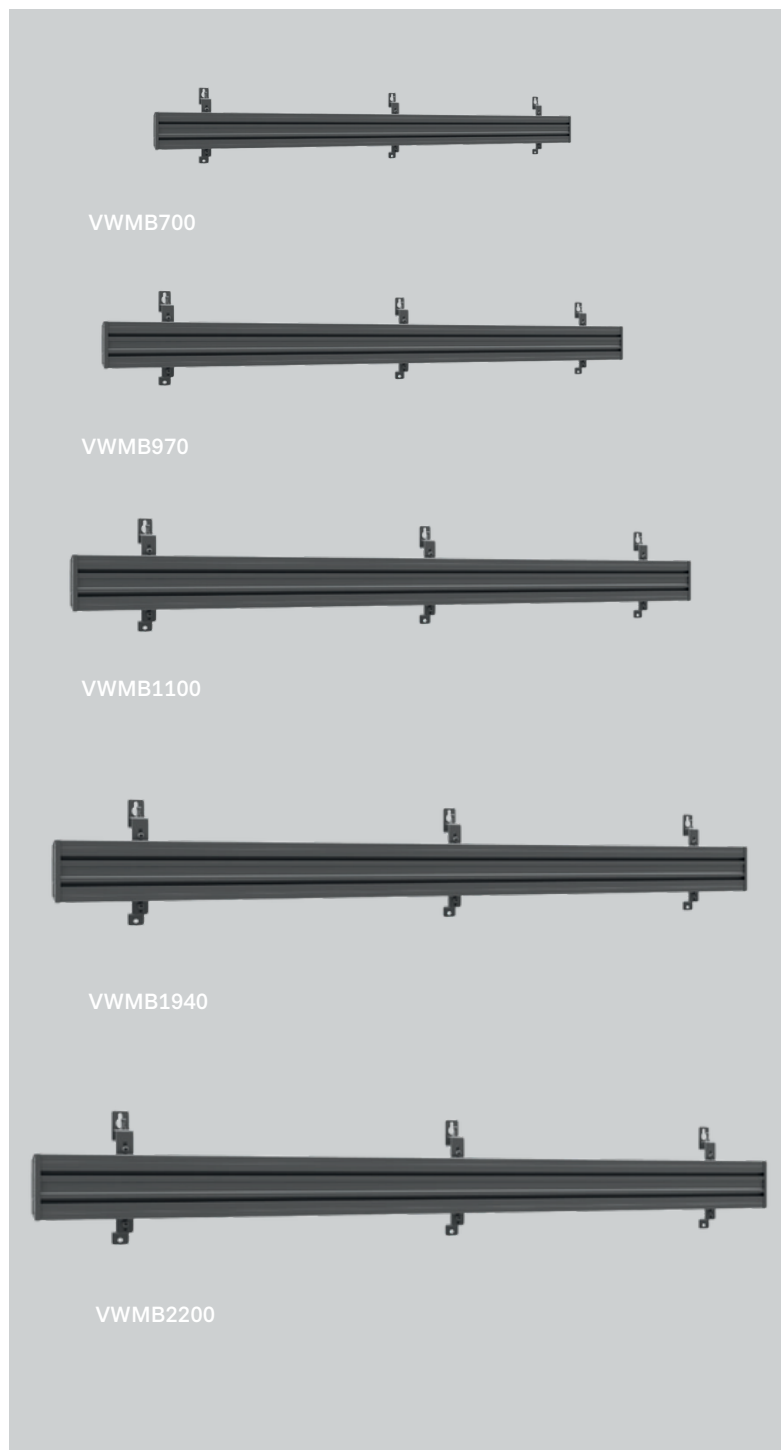


VWMB SERIES

Modular Menu Board
Mount from 700 to 200 mm



The VWMB Series is a modular mounting system designed for menu board installations, allowing flexible configuration of display layouts with mounting plates ranging from 700 to 2200 mm.

The system consists of multiple modular mounting plates that can be easily connected using dedicated connectors, enabling the creation of custom-length solutions without the need for cutting. Thanks to its modular design, the VWMB Series allows installers to build almost any required configuration, adapting perfectly to various screen layouts.

FEATURES:

- Modular system with expandable mounting plates
- Adjustable lengths from 700 to 2200 mm
- Dedicated connectors for quick and secure assembly
- Enables custom configurations without cutting
- Simple and fast installation

	MAXIMUM LOAD (KG)
VWMB700	40
VWMB970	80
VWMB1100	120
VWMB1940	160
VWMB2200	200



PRODUCT SPECIFICATIONS

Length (mm)	SAP INDEX	EAN CODE	Dimension (WxHxD) (mm)	Weight (kg)
700	WUSC-VWMB700	5902841108646	720x300x56,1	4
970	WUSC-VWMB970	5902841109179	990x300x56,1	4,8
1100	WUSC-VWMB1100	5902841108370	1120x300x56,1	5,2
1940	WUSC-VWMB1940	5902841104426	1960x300x56,1	8,4
2200	WUSC-VWMB2200	5902841109131	2220x300x56,1	9,25

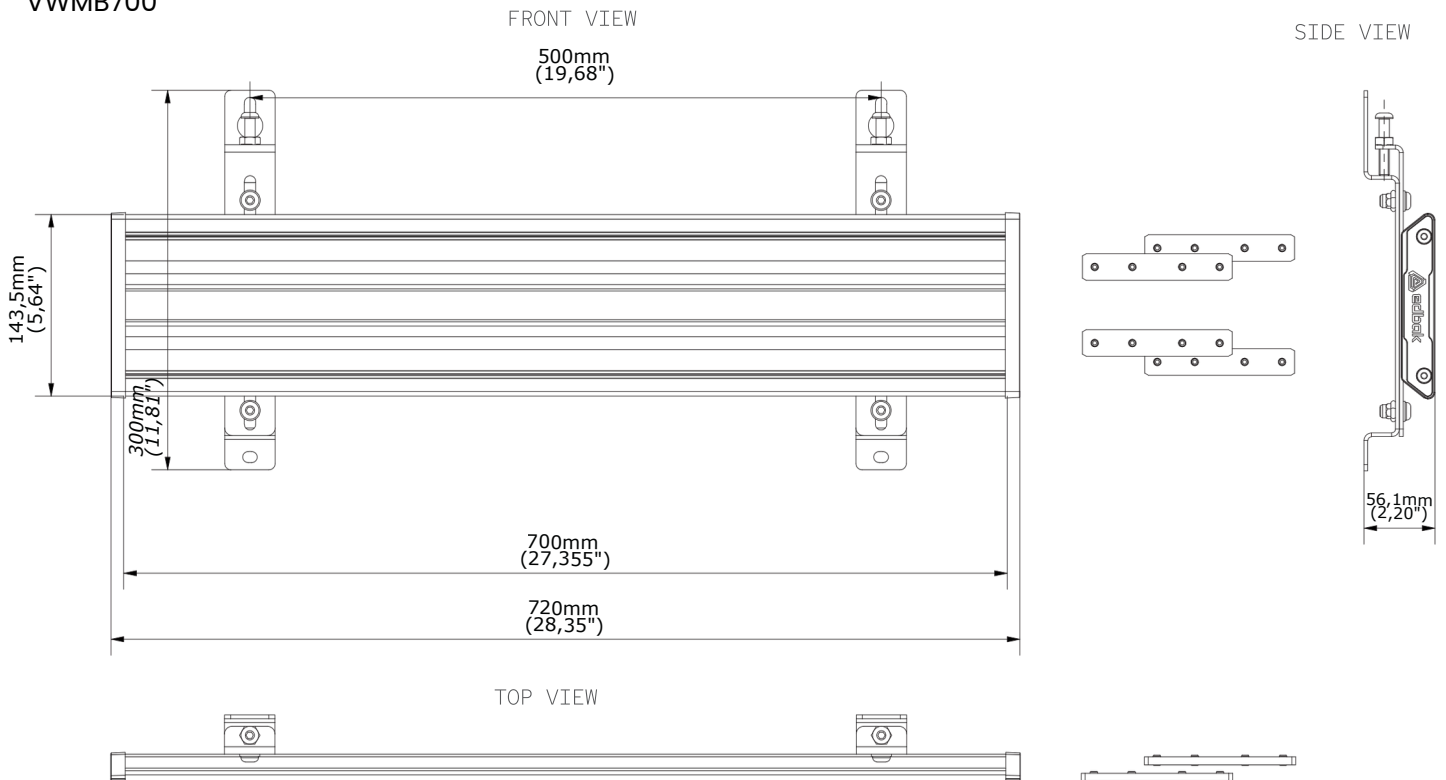
LOGISTICS DATA

SAP INDEX	Cardboard box weight (kg)	Product weight with packaging (kg)	Dimension (WxHxD) (mm)
WUSC-VWMB700	0,508	4,521	1120x65x180
WUSC-VWMB970	0,508	5,321	1120x65x180
WUSC-VWMB1100	0,508	5,721	1120x65x180
WUSC-VWMB1940	1,004	9,427	1980x65x180
WUSC-VWMB2200	1,195	10,47	2240x65x180

HS Code (Harmonized System): 732690, HTS Code (Harmonized Tariff Schedule): 7326909890, Country of Origin: Poland

TECHNICAL DRAWINGS

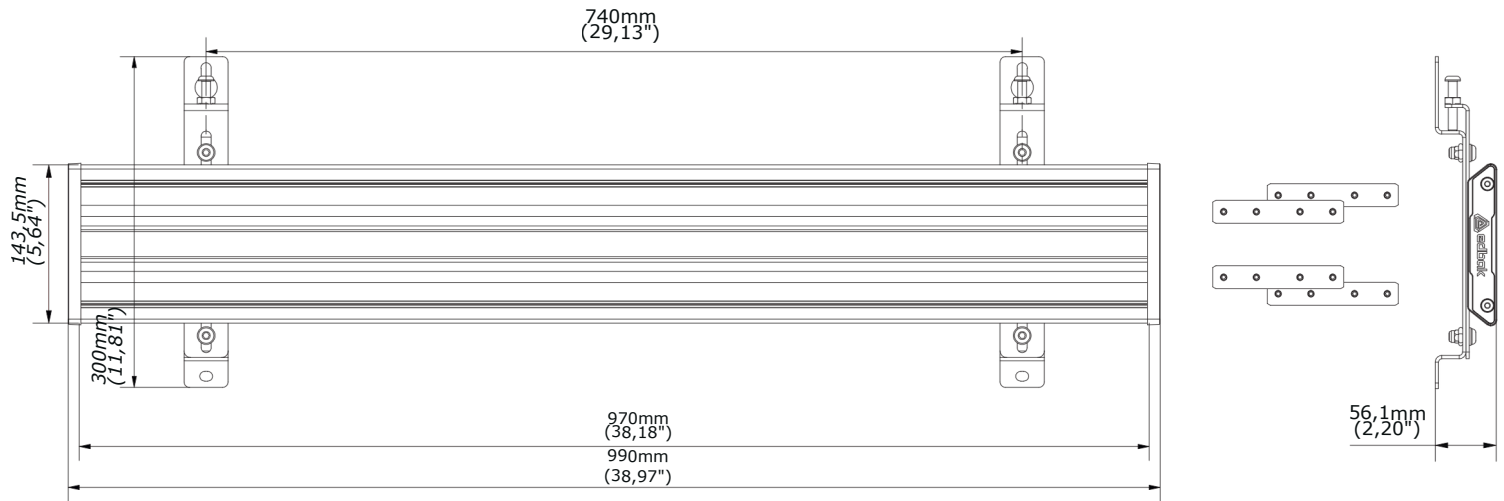
VWMB700



VWMB970

FRONT VIEW

SIDE VIEW



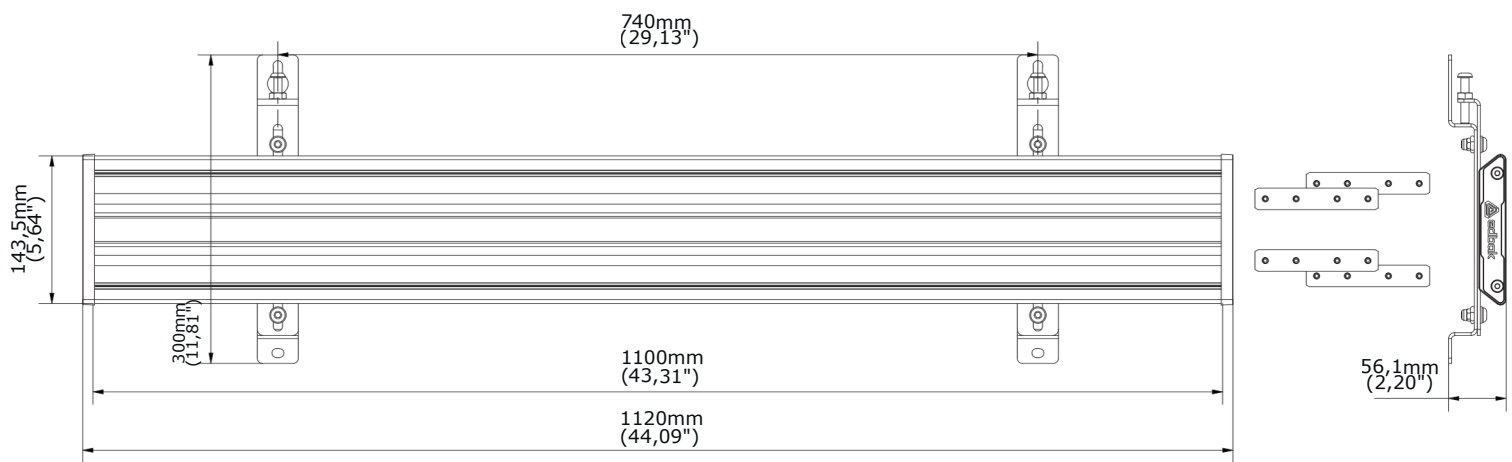
TOP VIEW



VWMB1100

FRONT VIEW

SIDE VIEW



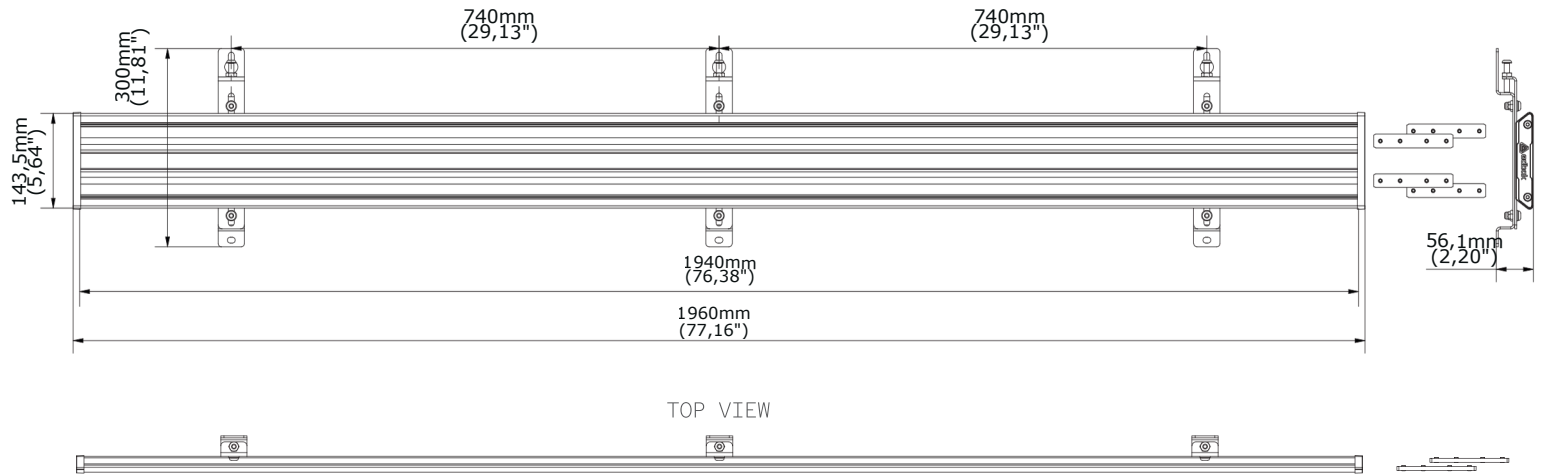
TOP VIEW



VWMB1940

FRONT VIEW

SIDE VIEW



VWMB2200

FRONT VIEW

SIDE VIEW

