

Shelly^{PRO} 4PM



USE SHELLY PRO 4PM FOR

With the power to control and power measure a variety of appliances, Shelly Pro 4PM can work standalone or be complementary to any existing automation project in your home or office.



Office lights

Ventilation control



Office outlets

Heating system



AC motor pumps control

Load shedding



LAN connection

Enhanced with LAN connection for even more stable connection.



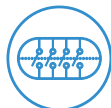
Wi-Fi operated

Connect Shelly Pro 4PM to your Wi-Fi network.



Bluetooth connectivity

Add devices quickly and easily via Bluetooth connection, using Shelly Smart Control App.



4 channels

4 outputs, 16A each, total device maximum of 40 A.



Screen with navigation keys

1.8-inch color screen for quick switch control and settings update.



Power metering with data storage

Four integrated precise power meters that allow you to measure the consumption for each channel separately.



Wide variety of appliances control

Suitable for controlling and measuring the consumption of lights, appliances, pool system heaters, and many more.



Enhanced safety

Flame retardant shell (V-0) with internal overtemperature, over-power and overvoltage protection.



Enhanced security

MQTT and WSS support, TLS certificate support and management for a broad range of use cases.



No hub required

Control directly without a hub through your smartphone with Shelly Smart Control App.



Highly compatible

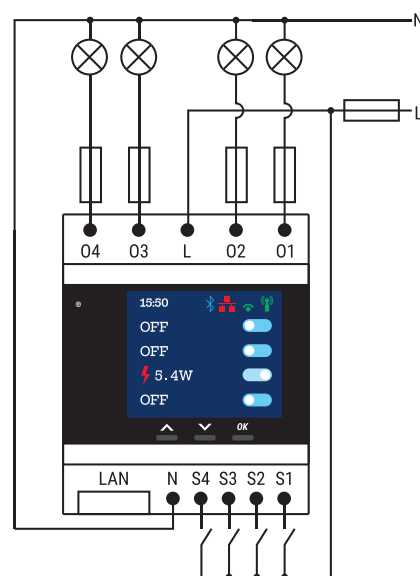
Use with your preferred home automation platforms and voice assistants.

SUPREME HOME AND FACILITY AUTOMATION STRAIGHT FROM THE BREAKER BOX

4-channel DIN-mountable smart switch with Wi-Fi, Bluetooth and LAN connectivity. **Shelly Pro 4PM** is enhanced with temperature, overpower, and overvoltage load protection. It allows full automation for residential, commercial, and other applications.

TECHNICAL SPECIFICATIONS

Power supply	110-240 VAC, 50/60 Hz
Max load per channel	16 A
Total max. current of all outputs	40 A
Complies with EU standards:	<ul style="list-style-type: none"> • RED 2014/53/EU • LVD 2014/35/EU • EMC 2014/30/EU • RoHS2 2011/65/EU
Working temperature	0°C to 40°C / 32°F to 105°F
Max RF power	13.83 dBm
Wireless/Wi-Fi Protocol	802.11 b/g/n (2.4 GHz)
Frequency	2400 - 2495 MHz
Operational range Wi-Fi (depending on local conditions)	<ul style="list-style-type: none"> • Up to 30 m / 100 ft indoors • Up to 50 m / 160 ft outdoors
Dimensions (HxWxD)	96 x 53 x 59 mm / 3.78 x 2.01 x 2.32 in
Electrical consumption	< 4 W



Legend

N - Neutral input / cable (Zero);
L - Live input / cable (110-240 VAC);
L* - Input of O1, O2, O3, O4;
O1, O2, O3, O4 - Output 1, 2, 3, 4;
S1, S2, S3, S4 - Switch inputs controlling O1, O2, O3, O4
LAN - Local Area Network RJ 45 connector
**The cables connected to L must be with the same lenght!*

