

Product Overview

Fast Ethernet Mini Bridging Converter



Description

The Mini Fast Ethernet Bridging converter of the Industrial Ethernet Entry Line offer transmission speeds of 100 Mbps in Industrial Ethernet applications.

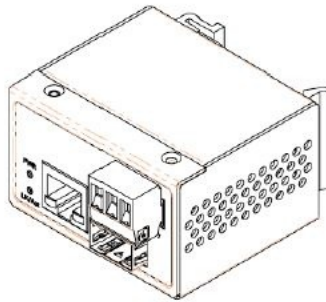
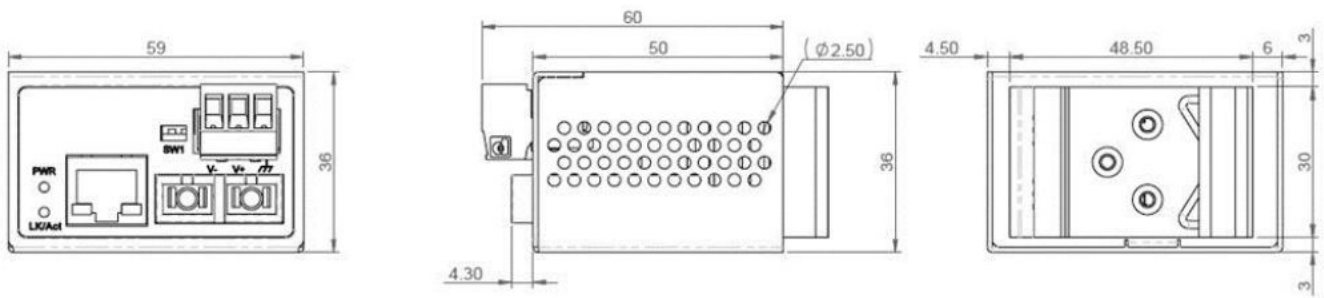
Beside the media conversion from copper to fiber the devices are doing a speed adaptation of 10Base-T for Fast Ethernet. This enables the direct connection of end devices with different speed to the existing central switch. The uplink port is designed as a SFP slot.

The devices are immediately ready for operation, a configuration by management is not necessary. Within the DIP switches there Mini Bridging Converter can work in a Bridge or Converter mode.

Properties

- miniaturized ruggedized design enclosure
- supports 18..36VAC/12..60VDC
- supports Link Fault Pass through (LFP) function
- supports switch mode and converter mode
- SFP Slot for 100Base-X
- provides Far End Fault function on FX port
- provides increased Noise Immunity
- extended temperature range -40°C to 75°C

Dimensions



Order Information

Description

Article Number

Industrial Fast Ethernet Mini Bridging Converter, 1x 10/100Base-TX to 100Base-X SFP Slot, **MS657049X**
-40..+75°C

This document in whole or in part may not be duplicated, reproduced, stored or retransmitted without prior written permission of MICROSENS GmbH & Co. KG. All information in this document is provided 'as is' and subject to change without notice. MICROSENS GmbH & Co. KG disclaims any liability for the correctness, completeness or quality of the information provided, fitness for a particular purpose or consecutive damage. MICROSENS is a trademark of MICROSENS GmbH & Co. KG. Any product names mentioned herein may be trademarks and/or registered trademarks of their respective companies.

© 2017.11.14 MICROSENS GmbH & Co. KG - 59067 Hamm/Germany - Tel. +49 2381 9452-0 - www.microsens.com