

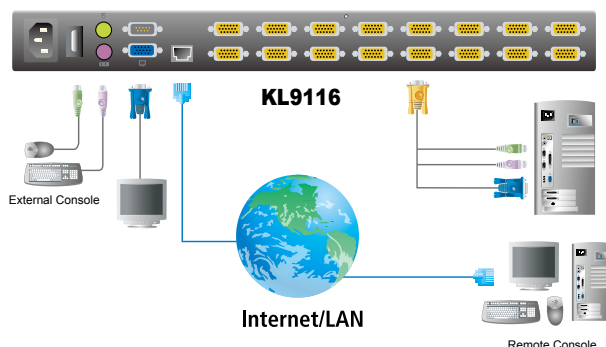
ALTUSCN™ KL9108/KL9116

Hideaway™ LCD KVM Switch 17" LCD Console with Over the NET KVM Switch

The KL9108 / KL9116 is an IP-based KVM control unit that allows both local and remote operators to monitor and access multiple computers from multiple consoles. A single KL9108 / KL9116 can control up to 8 / 16 computers and can be accessed from any computer on the Net. The KL9108 / KL9116 features independently retractable 17" LCD monitor and keyboard with built-in touchpad. To maximize space in your data center the keyboard "hides away" when not in use, while the thin profile LCD monitor provides continuous monitoring of computers.



Diagram



Shared Access 2 Local Users	Simultaneous Access 1 Local User 1 Remote IP User	2nd Console PS/2	Computers SPHD PS/2
OS Support Win, Linux, Unix, FreeBSD	Expansion Cascade	IP Ready TCP/IP	External Mouse PS/2
PON Available	NEW OS Support Vista		

Features

- Integrated KVM console with 17" LCD monitor - in a Hideaway™ housing
- Space saving technology with dual bus function support – 1 remote console (one bus) and two local consoles (one bus) control up to 8 or 16 computers
- Remotely access computers via the LAN, WAN, or Internet - control your installation when and where you want
- Dual-bus: one local and one remote user can simultaneously control separate ports
- Extra console port—manage computers in the LCD KVM switch from an external console (monitor, PS/2 keyboard, and PS/2 mouse)
- Supports external PS/2 mouse
- Supports dedicated OSD and OSD Toolbar invocation keys
- Dual slide—LCD Monitor component can slide independently of the keyboard/touchpad component
- LCD module rotates up to 120 degrees for a more comfortable viewing angle
- Console lock - enables the console drawer to remain securely locked away in position when not in use
- Internet browser access, Windows Client and Java Client provided, Java Client works with all operating systems
- Graphical OSD and graphical toolbars for convenient, user-friendly operation
- Up to 64 user accounts - up to 32 concurrent remote logins
- Panel Array Mode - view all 8 or 16 ports at the same time
- Message board feature allows logged in users to communicate with each other and allows a remote user to take exclusive control of the KVM functions
- Windows-based Log Server
- Remote power control for attached Power over the Net™ devices
- Three level login security: Administrator, User, and Select
- Advanced security features include password protection and advanced encryption technologies - 1024 bit RSA, 256 bit AES, 56 bit DES, and 128 bit SSL
- RADIUS server support
- Flash firmware upgradable over network connection
- Ports can be set to Exclusive, Occupy and Share
- Network Interfaces: TCP/IP, HTTP, HTTPS, UDP, RADIUS, DHCP, SSL, ARP, DNS, 10Base-T/100Base-TX, auto sense, Ping.
- High video resolution: up to 1280x1024@75Hz (17" LCD); 1600x1200@60Hz (Remote)

Specifications

Function		KL9108	KL9116
Computer Connections	Direct	8	16
	Max.	64 (via Cascade)	128 (via Cascade)
Console Connections	Local	1	
	Remote	1	
Port Selection	OSD, Hotkey, Pushbutton		
Connectors	External Console Port	1 x 6-pin Mini-DIN Female (Purple)	
	Keyboard Video Mouse	1 x HDB-15 Female (Blue)	
		1 x 6-pin Mini-DIN Female (Green)	
	KVM Port	8 x SPHD-15 Female (Yellow)	16 x SPHD-15 Female (Yellow)
Switches	External Mouse	1 x 6-pin Mini-DIN Female (Green)	
	Power	1 x 3-prong AC Socket	
	LAN	1 x RJ-45 Female (Black)	
	PON	1 x DB-9 Male (Black)	
	Reset	1 x Semi-recessed Pushbutton	
LEDs	Port Selection	2 x Pushbutton	
	Power	1 x Rocker	
	LCD Power	1 x Pushbutton	
	LCM Adjustment	4 x Pushbutton	
Emulation	On Line	8 (Green)	16 (Green)
	Selected	8 (Orange)	16 (Orange)
	Power	1 (Blue)	
	Num Lock	1 (Green)	
	Caps Lock	1 (Green)	
	Scroll Lock	1 (Green)	
Video	Link	1 (Green)	
	10 / 100 Mbps	1 (Orange/Green)	
Scan Interval	Keyboard/Mouse	1280 x 1024@75Hz; DDC2B	
	17" LCD Remote	1600 x 1200@60Hz; DDC2B	
I/P Rating	1-255 Seconds	1-255 Seconds	
	Power Consumption	100-240V AC; 50/60 Hz; 1A	
Environment	Operating Temp.	120V/31W; 230V/39W	
	Storage Temp.	0-40°C	
	Humidity	-20-60°C	
Physical Properties	Humidity	0-80% RH, Non-condensing	
	Housing	Metal	
	Weight	17.1 kg	17.3 kg
Dimensions (L x W x H)		70.5 x 48.2 x 4.4 cm	70.5 x 48.2 x 4.4 cm

* The specifications and pictures are subject to change without notice.

Optional Rack Mount Kit

Rack Mount Kit	Depth (cm)
2X-010G (Long/Optional)	68 - 105
Short (Standard)	42 - 77

Easy Installation Rack Mount Kit	Depth (cm)
2X-012G (Long/Optional)	68 - 105
2X-011G (Short/Optional)	57 - 70



Headquarters

ATEN International Co., Ltd.

3F, No.125, Sec. 2, Datung Rd. Sijhih City, Taipei 221, Taiwan

Tel: 886-2-8692-6789

Fax: 886-2-8692-6767

E-mail: online@aten.com.tw

© Copyright 2008 ATEN® International Co., Ltd. All brand names and trademarks are the registered property of their respective owners.

2008, Version 3.0