



VoIP Intercom with Keypad

This indoor CyberData SIP-enabled VoIP Intercom with Keypad is a Power-over-Ethernet (PoE 802.3af) and Voice-over-IP (VoIP) two-way communications device that easily connects into existing local area networks (LANs) with a single cable connection. The intercom is compatible with most SIP-based IP PBX servers that comply with SIP RFC 3261.

Typical Applications

- Access control
- Door entry phone
- Emergency phone
- Mass notification

Features

- PoE 802.3af enabled (Powered-over-Ethernet)
- 12-key keypad
- Programmable speed dial
- SIP compliant
- Adaptive full-duplex voice operation
- Network web management
- Network adjustable speaker volume and microphone sensitivity
- Network downloadable firmware
- Concurrent SIP and multicast paging
- Dry relay contact for auxiliary control
- Peer-to-peer capable
- Door closure and tamper alert signal
- User downloadable alert, rings tones and call out messages.



VoIP Intercom with Keypad Specifications	
Ethernet I/F	10/100 Mbps
Protocol	SIP RFC 3261 Compatible
Power Input	PoE 802.3af compliant or +12 to +24 VDC at 500mA
Operating Temperature	-30 to 55 C (-22 to 131 F)
Payload Types	G711, A-law and μ -law
Regulatory Compliance	FCC Class A, UL 60950
Dimensions	6.5" x 4.5" x 1.5" (H x W x D)
Boxed Weight	2 lbs.
Warranty	2 years limited
Part Number	
*011113, RAL 9003, Signal White, Wall-Mounted Version	
*011123, RAL 9003, Signal White, Flush-Mounted Version	
*This number replaces the 011078 number.	

Outdoor Intercom, Indoor Intercom, and Emergency Intercom models are also available:



Outdoor Intercom
#010935



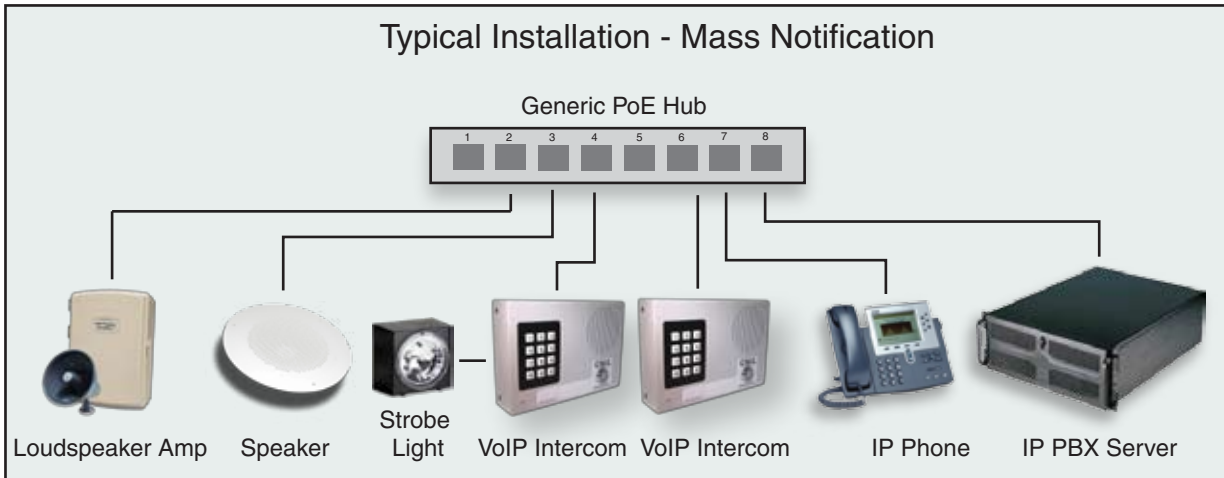
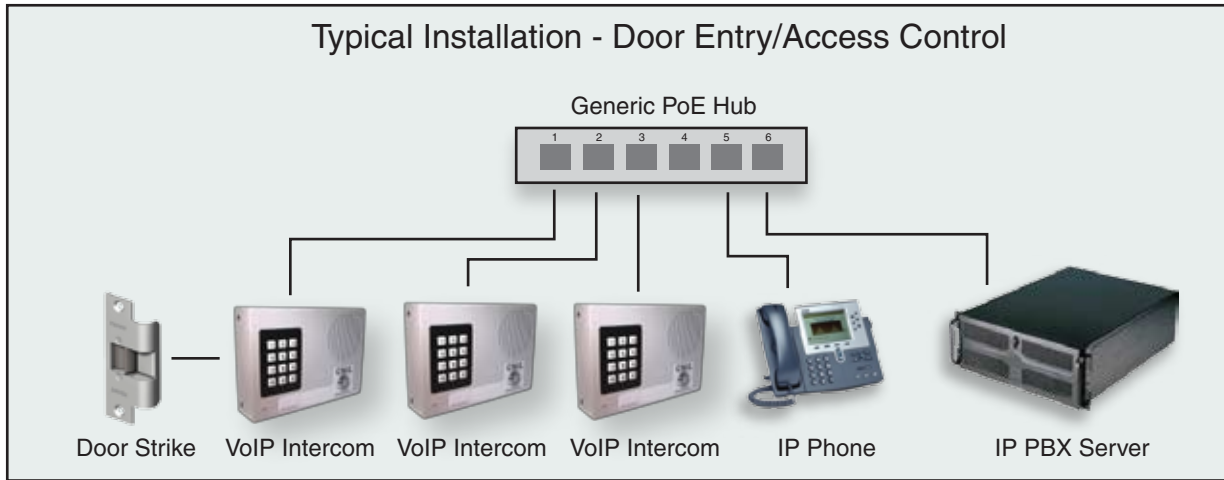
Indoor Intercom
#011111



Emergency Intercom
#011035



VoIP Intercom with Keypad

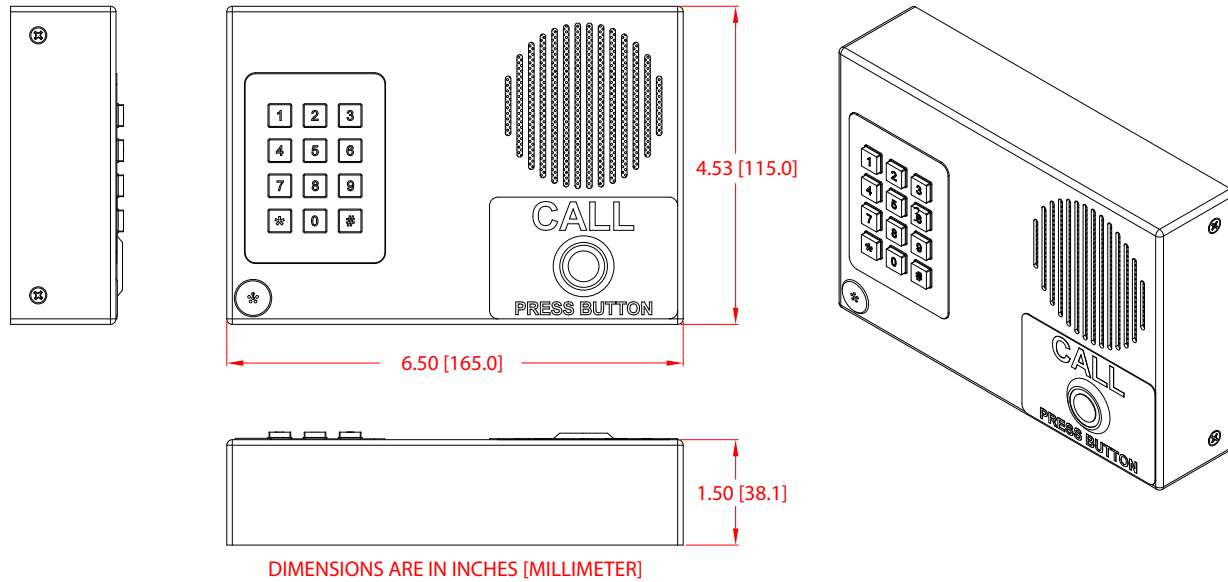




VoIP Intercom with Keypad

Dimensions

011113, RAL 9003, Signal White, Wall-Mounted Version



011123, RAL 9003, Signal White, Flush-Mounted Version

