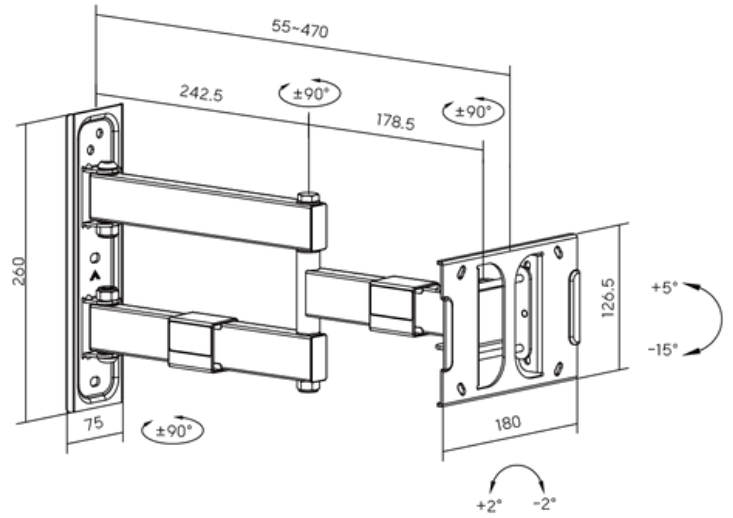
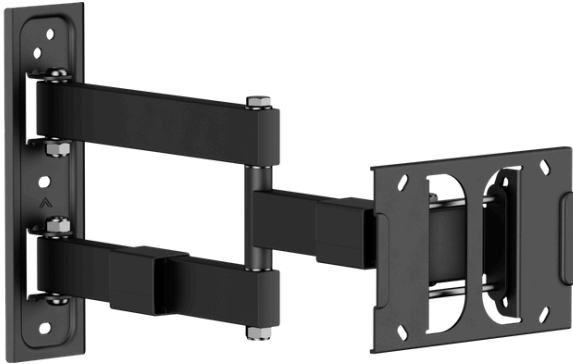


WMA75 - FULL MOTION TV WALL MOUNT



TECHNICAL SPECIFICATION

Product dimensions	W: 180 mm, D: 470 mm, H: 260 mm (7,1" x 18,5" x 10,24")
Product weight	3,75 kg
Minimum Distance from Mounting Surface	55 mm
Maximum Distance from Mounting Surface	470 mm
Compatible with VESA adapters WMT75 and WMF75	

PRODUCT SPECIFICATION

Index	WMA75
Color	Black
Warranty	5 - years
Forward Tilting	+5° ~ -15°
Arm rotation	+90° ~ -90°
Number of screens	1
Minimum screen size	43"
Maximum screen size	75"
Maximum load	30 kg

LOGISTICS DATA

Index	WMA75
EAN Code	5902841106024
Package dimensions	505 x 266 x 90 mm
Package weight	4,15 kg
HS Code	732690
HTS Code	7326909890
Pallet quantity	48 pcs