

▶▶▶ Gigabit Fiber Transceivers

PRODUCT HIGHLIGHTS

- SFP 1.25 Gbps fiber transceivers with LC style connectors
- Pluggable for quick and easy installation - saves you time
- Industry standard Small Form Factor (MSA compliant) - saves you space
- Multimode and singlemode models available
- Noise immune fiber runs from 550 m to 80 km
- Industrial rated for -40 to 85°C operation
- Vibration resistance latching mechanism
- Small Form Factor Pluggable MSA compliant
- Fully compliant with IEEE 802.3z Gigabit Ethernet standards
- Low power consumption
- Standard duplex LC receptacle
- Laser Class 1 product - IEC60825-1 compliant

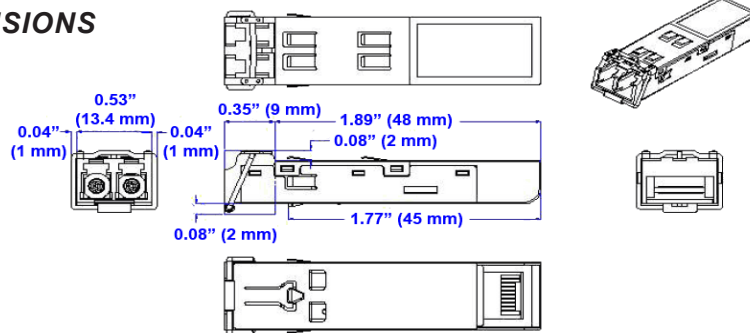


RoHS
Compliant
Lead and Hazardous
Substance Free

RECOMMENDED OPERATING CONDITIONS

| PARAMETER | MIN. | TYP. | MAX | UNIT | NOTE |
|-----------------------|------|------|-----|--------|----------------|
| Operating Temperature | -40 | - | 85 | °C | - |
| Storage Temperature | -40 | - | 85 | °C | - |
| Humidity | 5 | - | 95 | % | non-condensing |
| Power Supply Voltage | 3.1 | 3.3 | 3.5 | V | - |
| Supply Current (3.3V) | - | - | 85 | mA | - |
| Data Rate | - | 1250 | - | Mbit/s | - |

MECHANICAL DIMENSIONS (UNITS IN MM)



ORDERING GUIDE

| Part Number | Availability | Mode | Data Rate (Mbps) | Light Source | TX (dBm) Min. | TX (dBm) Max. | RX (dBm) Sen | Connector Type | Nominal Max. Distance |
|------------------|---------------|------------|------------------|--------------|---------------|---------------|--------------|----------------|-----------------------|
| GMFIBER-SFP-500K | standard | multimode | 1.25 | 850 VCSEL | -9 | -3 | -18 | LC | 550m |
| GMFIBER-SFP-2K | special order | see note | 1.25 | 1310 FP | -9 | -3 | -20 | LC | 2km* |
| GSFIBER-SFP-10K | standard | singlemode | 1.25 | 1310 FP | -9 | -3 | -20 | LC | 10km |
| GSFIBER-SFP-30K | special order | singlemode | 1.25 | 1550 DFB | -4 | 2 | -23 | LC | 30km |
| GSFIBER-SFP-50K | special order | singlemode | 1.25 | 1550 DFB | -4 | 2 | -23 | LC | 50km |
| GSFIBER-SFP-80K | special order | singlemode | 1.25 | 1550 DFB | 0 | 5 | -23 | LC | 80km |

Note: Use this special singlemode transceiver with multimode fiber cable for a nominal maximum link distance of 2 km. This transceiver offsets the transmitted light (so no mode conditioning patch cord is required) and is specifically for use with multimode fiber cable. It is recommended that this transceiver be used on both ends of the cable for best performance. Do not use this transceiver with singlemode fiber cable.

▶▶▶ GxFIBER-SFP Gigabit Fiber Transceiver Specifications

| TRANSMITTER OPTICAL CHARACTERISTICS: | | | | | | |
|---|---------------------------|-------------|-------------|-------------|-------------|--------------|
| PARAMETER | RATING¹ | MIN. | TYP. | MAX. | UNIT | NOTE |
| Output Optical Power From Multimode Fiber | 550M, 2km ² | -9 | - | -3 | dBm | For MM fiber |
| Output Optical Power From Single Mode Fiber | 10km | -9 | - | -3 | dBm | For SM fiber |
| | 30km | -4 | - | 2 | | |
| | 50km | -4 | - | 2 | | |
| | 80km | 0 | - | 5 | | |
| Extinction Ratio | | 9 | - | - | dB | For MM fiber |
| Output Center Wavelength | 550m | 830 | 850 | 860 | nm | For MM fiber |
| | 2km ² | 1270 | 1310 | 1355 | | For SM fiber |
| | 10km,30km | 1280 | 1310 | 1355 | | For SM fiber |
| | 50km, 80km | 1500 | 1550 | 1580 | | For SM fiber |
| Spectral Width (RMS) | 550m | - | - | 0.85 | nm | For MM fiber |
| | 2km | - | - | 4 | | For MM fiber |
| | 10km | - | - | 4 | | For SM fiber |
| Spectral Width (-20dB) | 30km, 50km, 80km | - | - | 1 | nm | For SM fiber |
| Side Mode Suppression Ratio | 30km, 50km, 80km | 30 | - | - | dB | For SM fiber |
| Rise/Fall time (10%-90%) | - | - | - | 260 | ps | - |
| Relative Intensity Noise | - | - | - | -117 | dB/Hz | - |
| Total Jitter | - | - | - | 227 | ps | - |
| Output Eye | Compliant with IEEE802.3z | | | | | |
| RECEIVER OPTICAL CHARACTERISTICS: | | | | | | |
| Optical Input Power | 550m | - | - | 0 | dBm | For MM fiber |
| | 2km | - | - | -3 | | For MM fiber |
| | 10km, 30km, 50km, 80km | - | - | -3 | | For SM fiber |
| Sensitivity | 550m | - | - | -18 | dBm | For MM fiber |
| | 2km | - | - | -20 | | For SM fiber |
| | 10km | - | - | -20 | | For SM fiber |
| | 30km, 50km, 80km | - | - | -23 | | For SM fiber |
| Operating Wavelength | 550m | 770 | - | 1610 | nm | For MM fiber |
| | 2km | 1260 | - | 1610 | | For MM fiber |
| | 10km, 30km, 50km, 80km | 1260 | - | 1610 | | For SM fiber |
| Loss of Signal - Asserted | 550m | -32 | - | - | dBm | For MM fiber |
| | 2km | -35 | - | - | | For MM fiber |
| | 10km | -35 | - | - | | For SM fiber |
| | 30km,50km, 80km | -35 | - | - | | For SM fiber |
| Loss of Signal - Deasserted | 550m | - | - | -18 | dBm | For MM fiber |
| | 2km | -45 | - | -20 | | For MM fiber |
| | 10km | -45 | - | -20 | | For SM fiber |
| | 30km,50km, 80km | -45 | - | -23 | | For SM fiber |

Note 1: The distance rating is for reference only. For accurate distance estimations, the power budget should be used.

Note 2: The 2 km transmission distance corresponds to using the special GMFIBER-SFP-2K transceiver with multimode fiber cable. This transceiver offsets the transmitted light (so no mode conditioning patch cord is required) and is specifically for use with multimode fiber cable. It is recommended that this transceiver be used on both ends of the cable for best performance. Do not use this transceiver with singlemode fiber cable.

All specifications are subject to change. Consult factory for latest info.



www.redlion.net

Connect. Monitor. Control.

Americas
sales@redlion.net

Asia-Pacific
asia@redlion.net

**Europe
Middle East
Africa**
europe@redlion.net

+1 (717) 767-6511

As the global experts in communication, monitoring and control for industrial automation and networking, Red Lion has been delivering innovative solutions for over forty years. Our award-winning technology enables companies worldwide to gain real-time data visibility that drives productivity. Product brands include Red Lion, N-Tron and Sixnet. With headquarters in York, Pennsylvania, the company has offices across the Americas, Asia-Pacific and Europe. For more information, please visit www.redlion.net. Red Lion is a Spectris company.